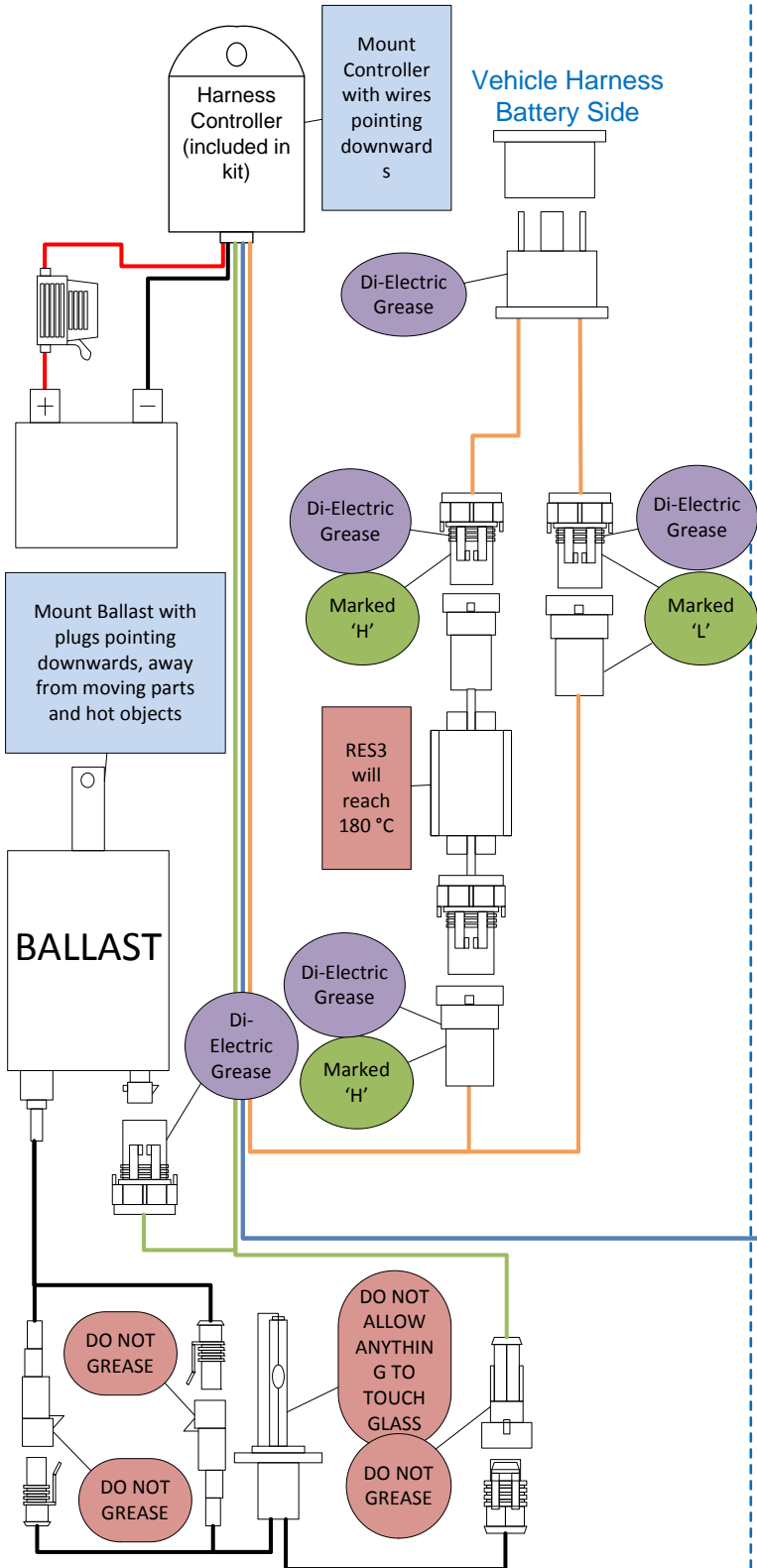
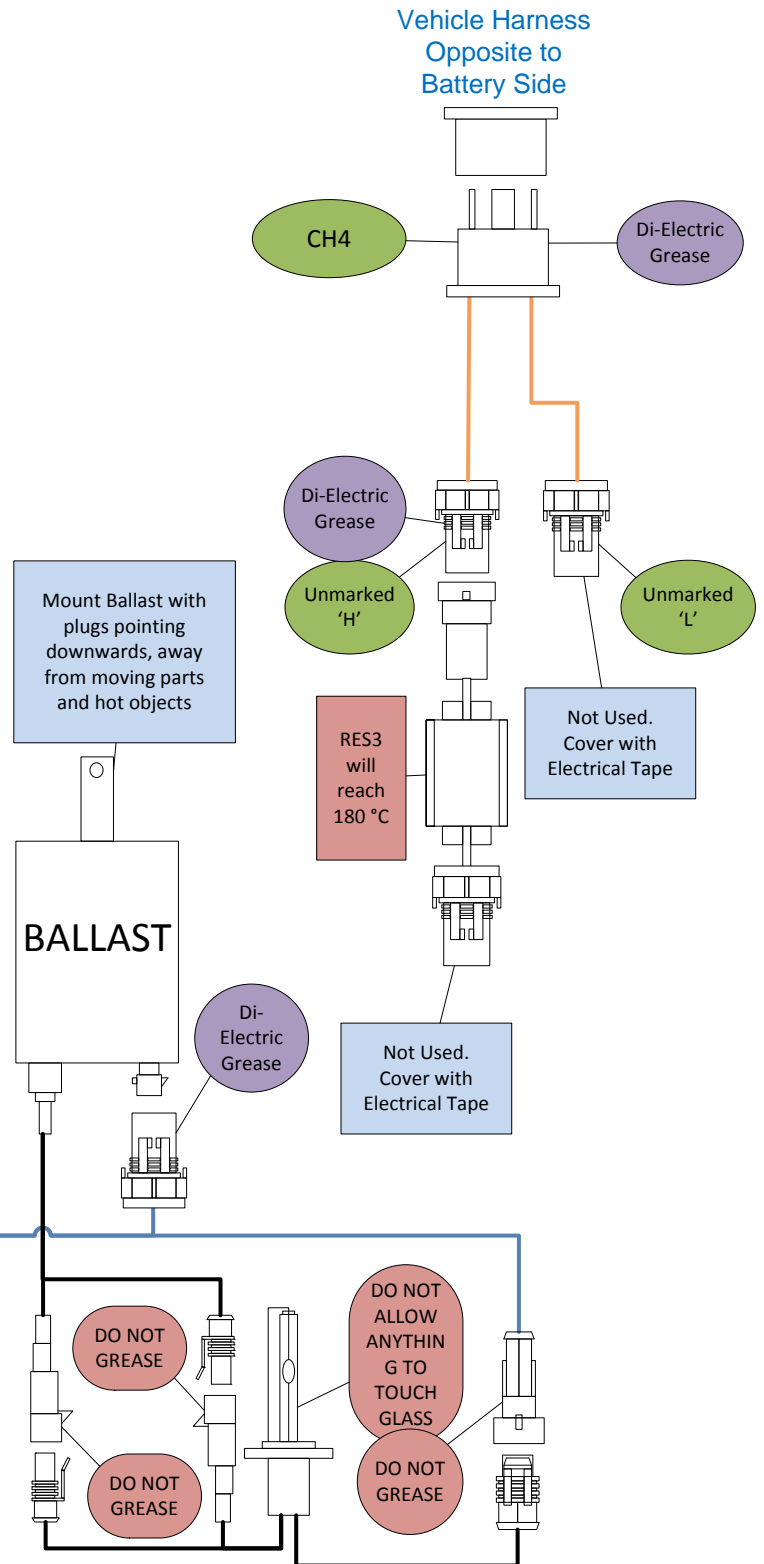


G3. H4 Bi-Xenon HILO Kit with 2 x RES3 and 1 x CH4 to High Beam

Battery Side of Vehicle

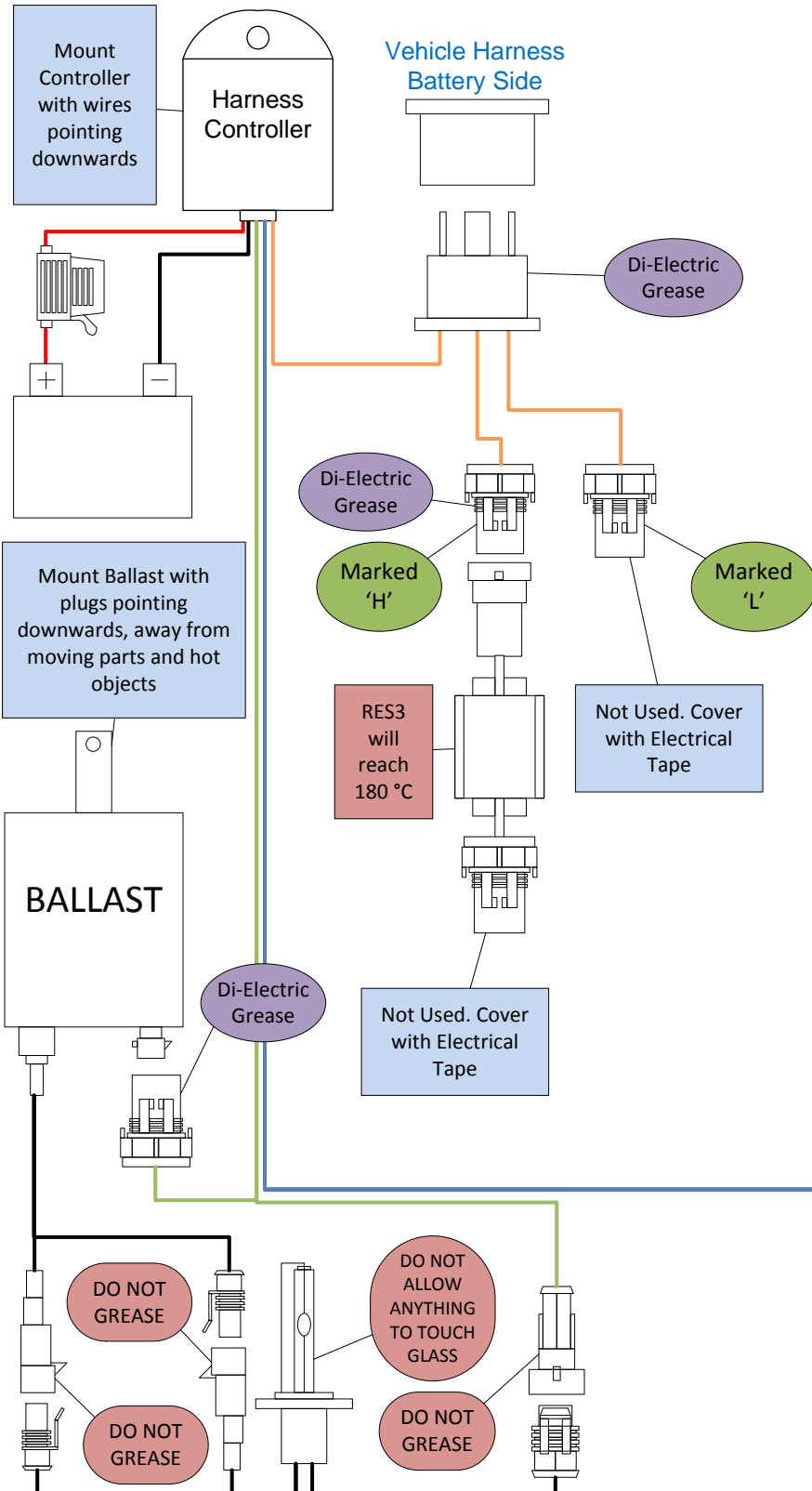


Opposite Side of Battery



H4 Bi-Xenon HILO Kit with 2 x RES3 to High Beam and CH4

Battery Side of Vehicle



Opposite Side of Battery

